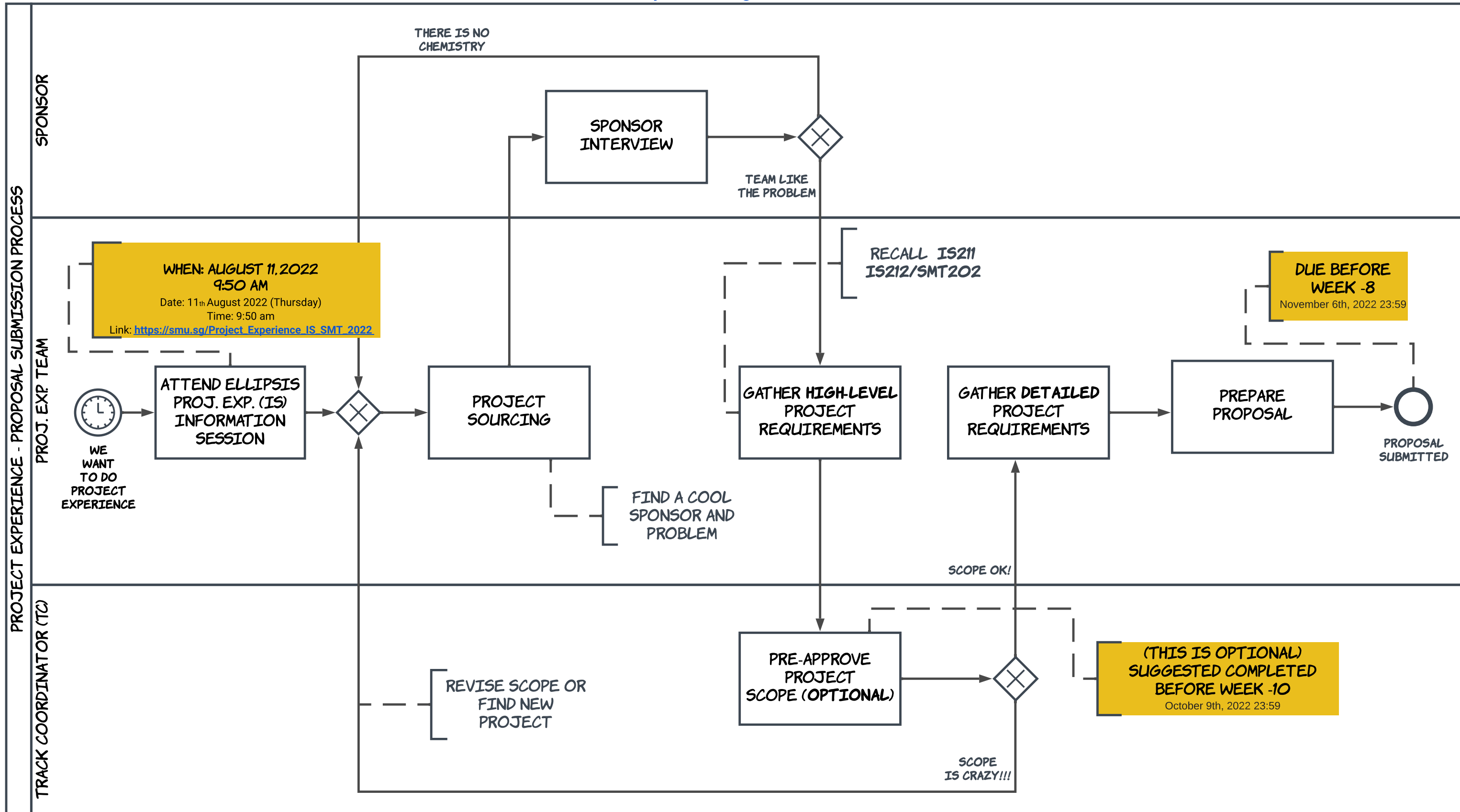


# IS PROJECT EXPERIENCE PROPOSAL SUBMISSION PROCESS

<https://smu.sg/IS483-PE>



CREATED BY: KIDMANU DANIEL GOH  
& RAFAEL J. BARROS  
VERSION: 1.8.3  
DATE: AUGUST 2022

APPROVED BY:  
 ▶ ALAN MEGARGEL (FT TRACK)  
 ▶ CHRIS POSKITT (SMT MAJOR)  
 ▶ KYONG JIN SHIM (BA TRACK)  
 ▶ RAFAEL J. BARROS (DCS TRACK)